



Tania Close Coupled Suite

FEATURES: S-trap

- Boxed rimmed pan
- Concealed floor fixings
- Cistern with WDI valves
- Left or right bottom inlet connection
- ABS seat with stainless steel hinges
- Choice of optional upgrades

FEATURES: P-trap

- Open rimmed pan
- Standard vertical fixings
- Cistern with WDI valves
- Left or right bottom inlet connection
- ABS seat with stainless steel hinges
- Choice of optional upgrades

WARRANTY

- Vitreous China: 10 year
- Internal valves: 2 year
- Seat: 1 year

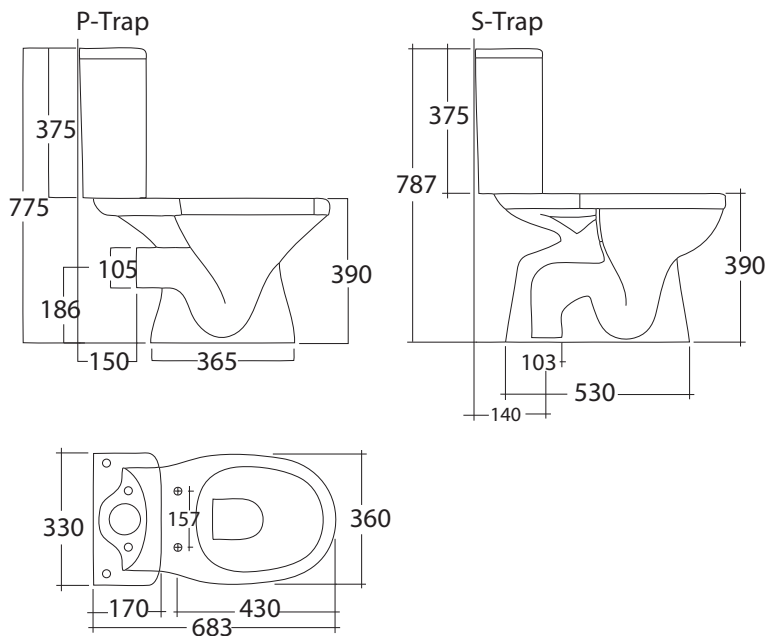
AVAILABLE OPTIONS

- S-trap: 140
- P-trap
- Colour: White only

OPTIONAL EXTRAS

- 20mm Vario Connector (140mm S-trap pan): 120-160mm
- 40mm Vario Connector (140mm S-trap pan): 100-180mm
- Urea seat with stainless steel hinges

www.rakbathware.com.au 1300 661 727



*All dimensions in mm. Tolerance $\pm 5\%$ for below 200mm and $\pm 3\%$ for above 200mm.

All Measurements relate to finish floor or finish wall measurements

All information shown are correct at time of printing, March 2009.

RAK Bathware recommends, that prior to installation all technical specifications be confirmed with current tech specs on our website www.rakbathware.com.au



Water Mark
AS1172
Lic. WMKA01985
Standards Australia

MADE IN U.A.E

